

GEO CLOUD



EZO
B O R D



MEET GEO CLOUD

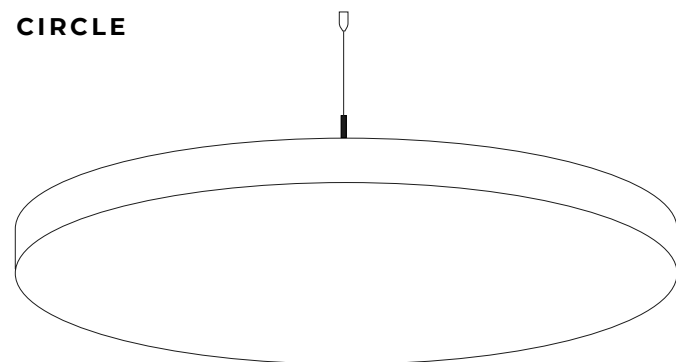


EzoBord Geo Clouds provide an elegant addition to any open area and can be customized through the use of different geometric shapes and a wide array of standard colors. Stylish EzoBord Geo Clouds are a series of sound absorbing suspended panels that redefine open interior spaces. Geo Clouds are available in a wide variety of

colors, profiles and shapes with custom shapes and prints also available to fully customize to your installation. Geo Clouds are adjustable to various heights and angles and can be installed from deck, ceilings, drywall, standard T bar suspension systems or mounted to walls. Made with recycled plastic water bottles.

GEO CLOUD

CIRCLE



LENGTH

30" 762mm
41" 1041mm

WIDTH

30" 762mm
41" 1041mm

HEIGHT

1" 25mm
1" 25mm

SQUARE



LENGTH

31" 787mm
41" 1041mm

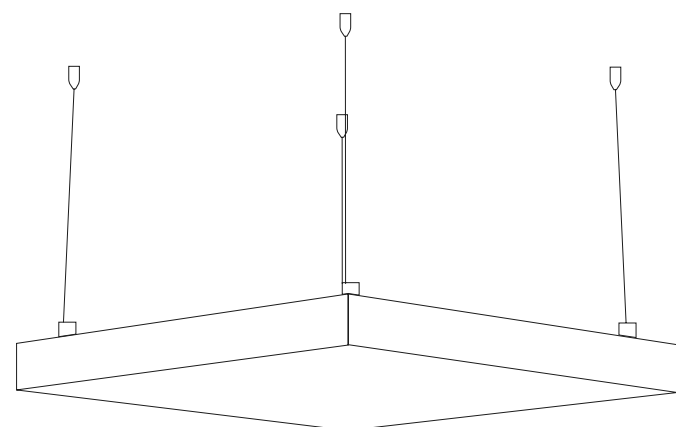
WIDTH

31" 787mm
41" 1041mm

HEIGHT

2" 51mm
2" 51mm

DIAMOND



LENGTH

13½" 343mm
20½" 521mm

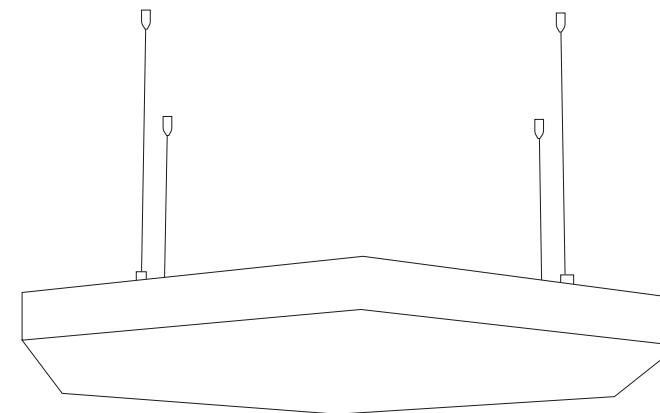
WIDTH

31" 787mm
41" 1041mm

HEIGHT

2" 51mm
2" 51mm

HEXAGON



LENGTH

27" 659mm
36" 914mm

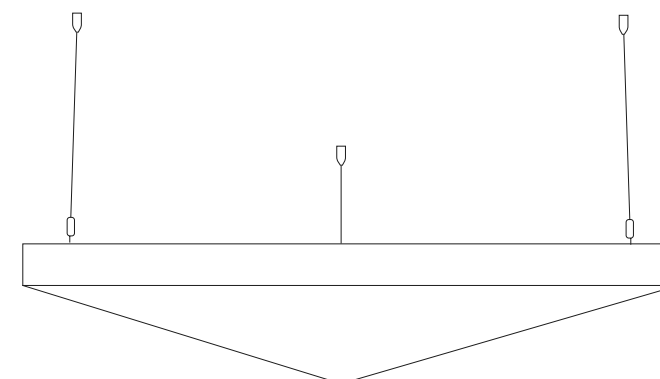
WIDTH

31" 787mm
41" 1041mm

HEIGHT

2" 51mm
2" 51mm

TRIANGLE



LENGTH

26" 660mm
35½" 902mm

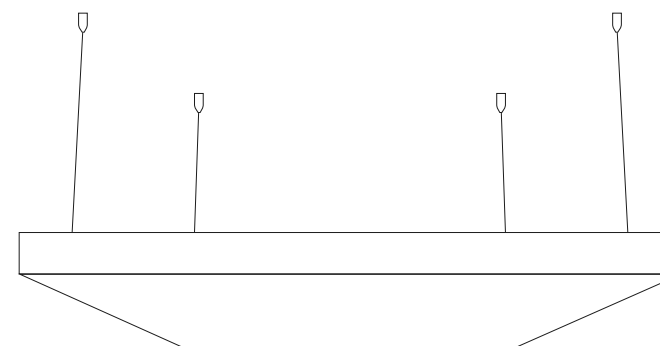
WIDTH

31" 787mm
41" 1041mm

HEIGHT

2" 51mm
2" 51mm

TRAPEZOID



LENGTH

12" 305mm
15½" 394mm

WIDTH

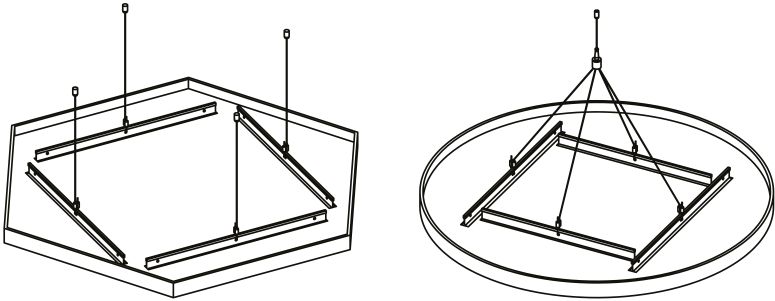
31" 787mm
41" 1041mm

HEIGHT

2" 51mm
2" 51mm

SPECIFICATIONS

GEO CLOUD



SIZES
6 standard shapes available in 2 sizes.

31" 787mm × **31"** 787mm maximum
41" 1041mm × **41"** 1041mm maximum

HEIGHT **2"** 51mm

THICKNESS **3/8"** 9mm | ±0.5mm
1/2" 12mm | ±0.5mm

Custom graphics and textures can be printed on clouds

COMPOSITION
100% PET (min. %50 recycled content)

PRODUCT VARIANCES
Variation in fiber mix and colour may occur. All products will be supplied within commercial tolerances.

CLEANING
Remove dust and dirt with a stiff plastic bristle brush. Distilled water can be used to remove stains. Always use a soft, clean cloth and blot dry. Vacuuming works great as well.

- FIRE TESTING**
- NORTH AMERICA:**
- ASTM E-84 Class A*
 - CAN ULC S102-10
- EUROPE AND UK:**
- EN13501-1: 2007

* Upon request, 1/2"(12mm) sheet material is treated with USA origin post-production flame retardant to Class A surface burning characteristics. Post sheet production FR treatment does not contain any Red List Restricted Chemicals and complies with California Proposition 65. Contact customer service for technical information, test data and safety data sheets for flame retardant

ACOUSTICS
Refer to ASTM C423 test chart for specific absorption rates/frequency.

- **3/8"** (9mm): **0.75 - 0.90 NRC**
- **1/2"** (12mm): **0.80 - 1.20 NRC**

(subject to mounting conditions)

ENVIRONMENT
Made of polyester fiber, min. 50% of which comes from recycled water bottles which contributes to LEED MR Credit and BREEAM Health and Wellbeing, Materials points due to recycled content, acoustic performance, and low emitting materials. No VOC's: CDPH v1.2 and REACH SVHC Compliant.

USGBC LEED V4 CREDITS
While individual products do not 'earn' LEED credits, EzoBord can contribute to the following LEED v4 Credits. Please refer to the USGBC LEED credit guides for detailed requirements.

- EQc9 for enhancing acoustic performance
- MRc3 BPDO for sourcing of raw materials for recycled contribution
- EQc6 interior lighting for surface reflectance (lighter color options).

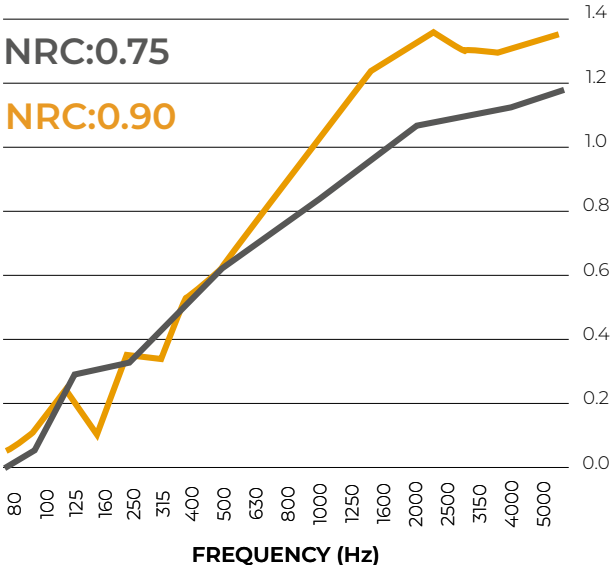


NOISE REDUCTION

3/8" 9mm
Constructed from 3/8" (9mm) EzoBord
Back Construction Openback

SOUND ABSORPTION COEFFICIENTS
ASTM C423-17

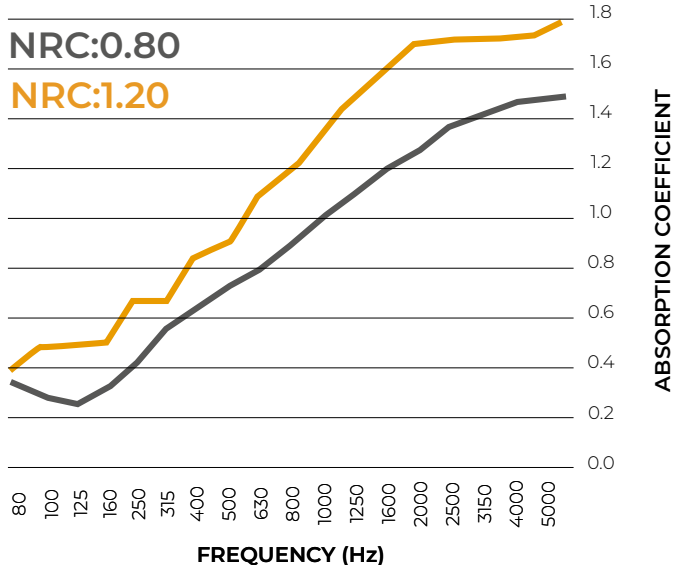
	NRC	SAA	125	250	500	1000	2000	4000
Open Back	0.75	0.74	0.32	0.36	0.61	0.86	1.07	1.12
Closed Back	0.90	0.91	0.25	0.48	0.77	1.10	1.28	1.29



1/2" 12mm
Constructed from 1/2" (12mm) EzoBord
Back Construction Openback

SOUND ABSORPTION COEFFICIENTS
ASTM C423-17

	NRC	SAA	125	250	500	1000	2000	4000
Open Back	0.80	0.31	0.32	0.45	0.69	0.93	1.18	1.36
Closed Back	1.20	1.22	0.47	0.66	1.70	1.45	1.69	1.72

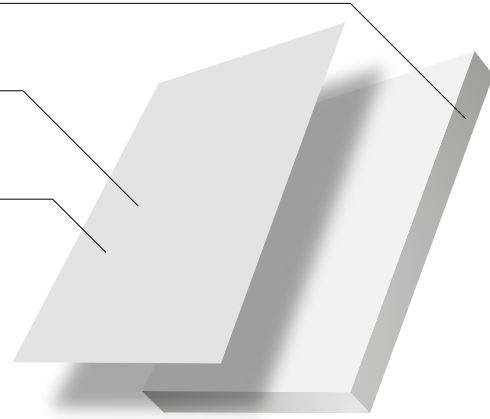


COLOR & FINISHES

EZOBORD BASE MATERIAL

OPTIONAL SURFACE EZOLAYERS

OPTIONAL SURFACE EZOPRINT



EZOBORD BASE COLORS

EZOBORD COLORS 3/8" (9mm)



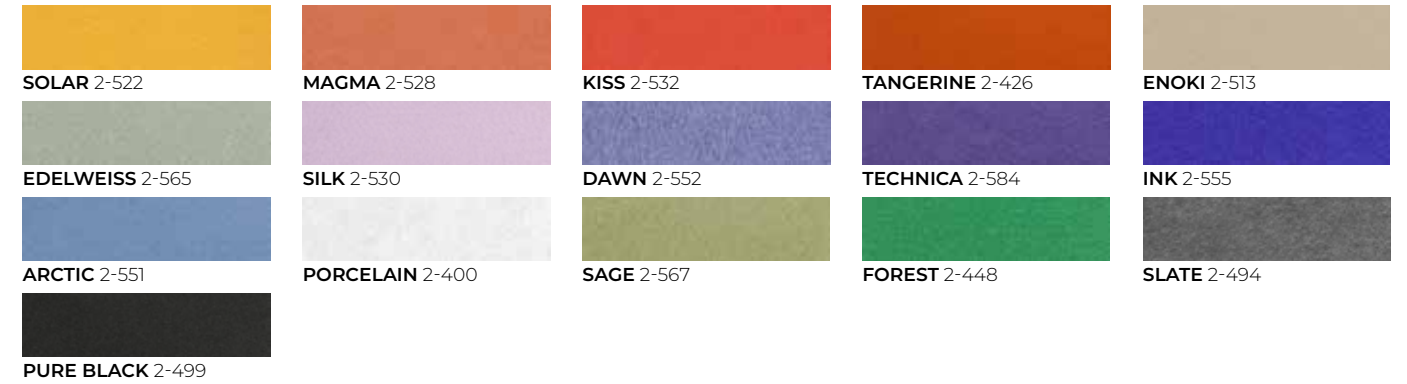
EZOBORD COLORS 1/2" (12mm)



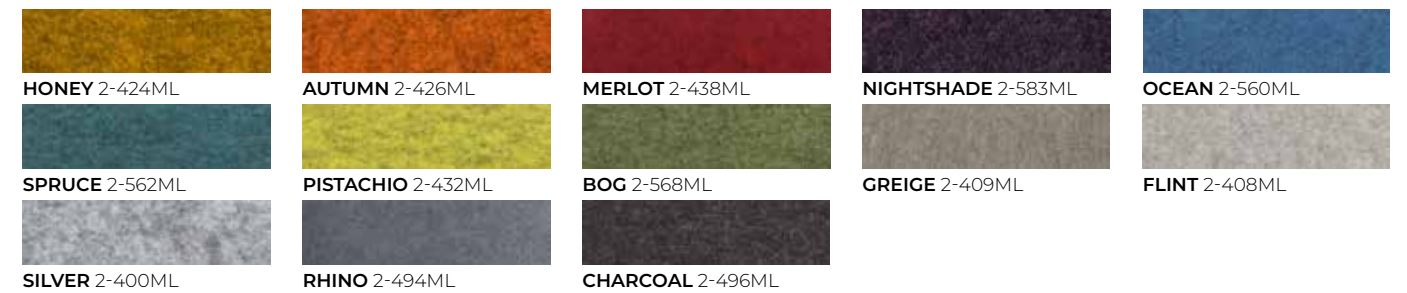
OPTIONAL SURFACE FINISHES

EZOLAYERS

EZOFELT GRADE 2

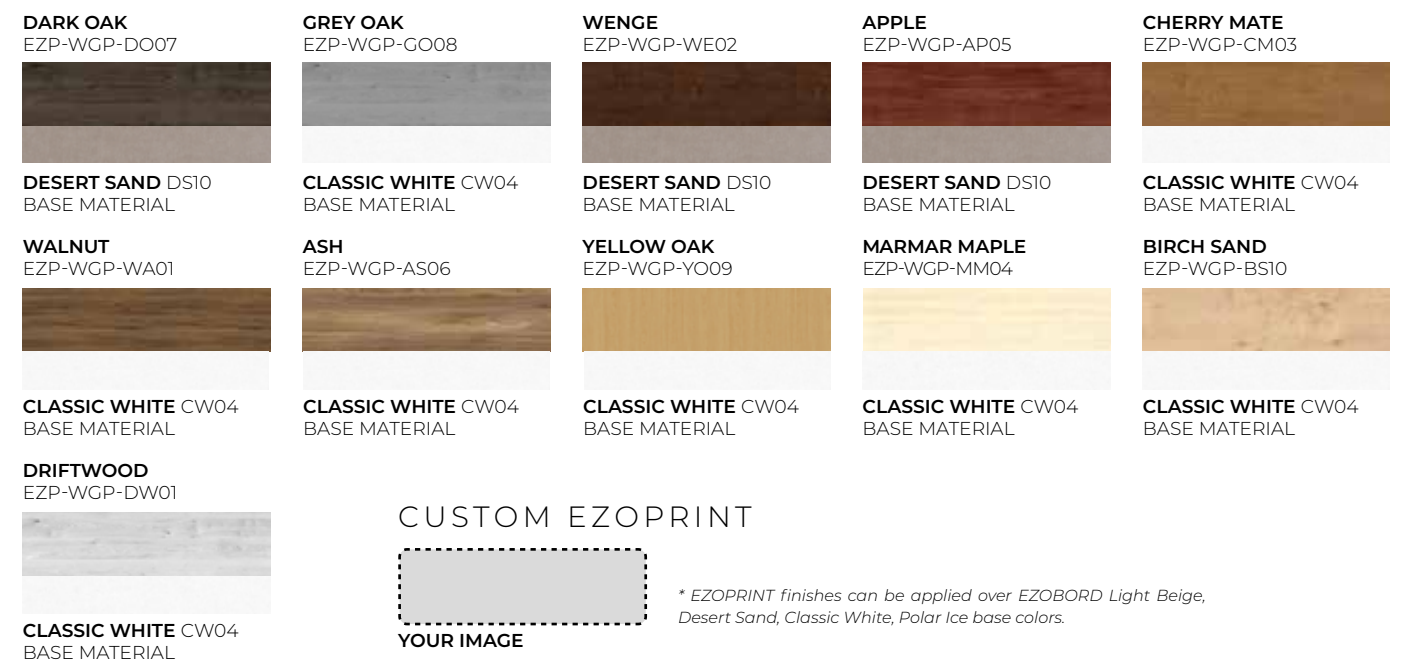


EZOFELT GRADE 2 MELANGE



EZOPRINT

STANDARD WOODGRAIN



CUSTOM EZOPRINT



* EZOPRINT finishes can be applied over EZOBORD Light Beige, Desert Sand, Classic White, Polar Ice base colors.

ENVIRONMENT

Our Commitment to the Environment

There are approximately 50 billion water bottles consumed around the world each year, and only about half of those get recycled. The rest end up in landfills, littered through our neighborhoods, or floating in our oceans.

Bottled water consumption has more than doubled since 2000; in 2015 there was the equivalent of more than 5 bottles of water consumed for every person in the USA every single week. This, of course, means that the amount of oil required to produce the energy used for the water bottling process continues to grow.

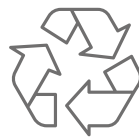
In 2007, the last year global statistics of oil consumption were available, between 32 million and 54 million barrels of oil were used to produce the bottled water that was consumed in the USA alone. This energy is used to make the bottles from PET pellets (1 million tons in the USA), treat water, bottle the water, label the bottles, and transport the bottled water. Most of the energy consumption occurs in the creation of the bottles themselves. To help in the lifecycle of this plastic product, we have chosen to manufacture our material so that it recycles these PET bottles. We are doing our part to reduce the waste. This acoustical and tackable material is made from PET bottles in a zero-waste process with postindustrial recycling. An environmentally friendly, sustainable, and waste reduced alternative to traditional acoustical/tackable material that looks great in any office, education, or open space installation.

EzoBord is



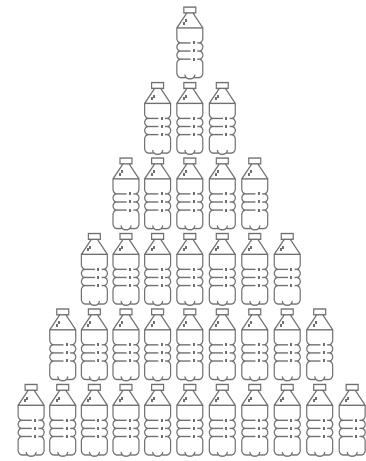
- low VOC
- formaldehyde free

DID YOU KNOW...



For every pound of recycled PET bottles (approximately 23) energy use is reduced by 84% and greenhouse gas emissions are reduced by 71%.

± 166 PET BOTTLES



are used to make one 9mm thick EzoBord sheet



CANADA

Ayrsonics Inc - Ontario

825 Trillium Drive
Kitchener, Ontario N2R 1J9
844-441-1122
sales@ayrsonics.com

Ayrsonics Inc - Alberta

292236 Nose Creek Boulevard
Building 1B, Unit #19
Rocky View County, AB T4A 3N7
844-441-1122
sales@ayrsonics.com

EzoBord Corporate Office

6845 Rexwood Road, Unit 7
Mississauga, ON L4V 1S5
416-665-3571
info@ezobord.com

UNITED STATES

Ayrsonics Midwest LLC

820 Tollgate Road
Elgin, IL 60123
800-517-0686
sales.amw@ayrsonicsusa.com

Ayrsonics Southwest LLC

8934 Eton Ave
Canoga Park, CA 91304
213-833-9700
sales.asw@ayrsonicsusa.com

Ayrsonics Southeast LLC

15 Enterprise Way
Dahlonega, GA 30533
706-539-4711
sales.ase@ayrsonicsusa.com

UNITED KINGDOM

EzoBord UK Limited

Unit 20, Westwood Business Park
Margate, Kent. CT9 4JJ
+44 1843-264027
sales@ezobord.co.uk

IRELAND

EzoBord Ireland Limited

Inniscarra, Main Street,
Rathcoole, Co. Dublin,
D24 EO29, Ireland
+353 1485-4774
sales@ezobord.ie

CENTRAL & LATIN AMERICA

EzoBord Costa Rica SRL

100 Sur 25 Oeste Recope
Bodega #16 Ochomogo, Cartago
+506 8842-4613
info-ebcr@ezobord.com

EzoBord - LATAM

Buenos Aires, Argentina
+54 9 11 5657-1793
info-latam@ezobord.com